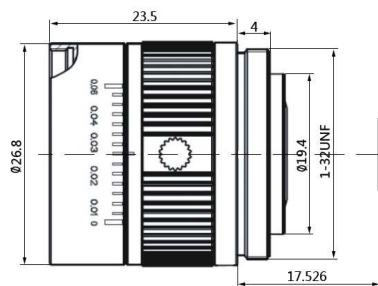


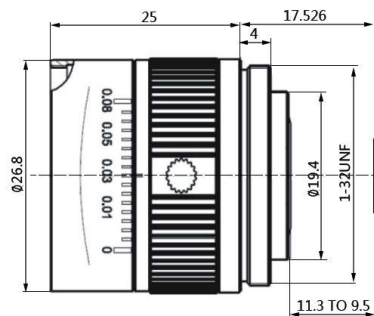
SA-M Series

- High resolution for 5MP camera
- Fixed aperture F2.2

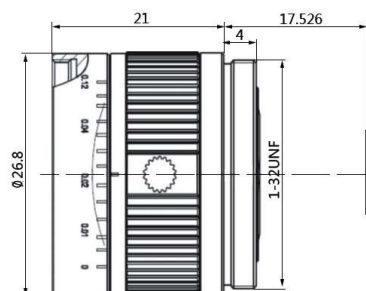
- Low distortion less than 1%
- Small volume



Model	SA-0622M
Focal Length	6mm
Format	1/1.8"
F NO.	F2.2
Iris	Fixed
Angle of View(HxV)	54.1°x41.9°
Distortion	<0.1%
M.O.D.	0.1m
Mount	C
Resolution	5MP
Filter Size	M25.5 x P0.5mm
Dimension	φ26.8mm x 23.5mm

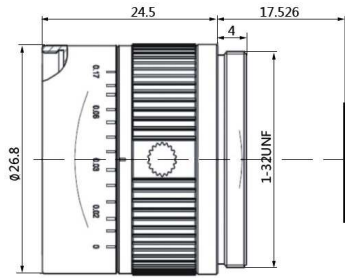


Model	SA-0822M
Focal Length	8mm
Format	1/1.8"
F NO.	F2.2
Iris	Fixed
Angle of View(HxV)	42.1°x38.2°
Distortion	<0.1%
M.O.D.	0.1m
Mount	C
Resolution	5MP
Filter Size	M25.5 x P0.5mm
Dimension	φ26.8mm x 25mm

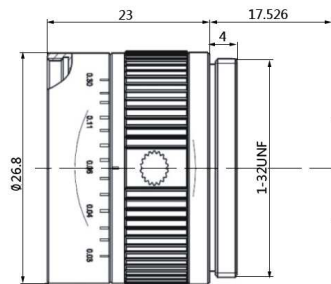


Model	SA-1222M
Focal Length	12mm
Format	1/1.8"
F NO.	F2.2
Iris	Fixed
Angle of View(HxV)	29.9°x22.9°
Distortion	<0.3%
M.O.D.	0.1m
Mount	C
Resolution	5MP
Filter Size	M25.5 x P0.5mm
Dimension	φ26.8mm x 21mm

1/1.8" FA Lens



Model	SA-1622M
Focal Length	16mm
Format	1/1.8"
F NO.	F2.2
Iris	Fixed
Angle of View(HxV)	22.6°x17.4°
Distortion	<0.1%
M.O.D.	0.1m
Mount	C
Resolution	5MP
Filter Size	M25.5 x P0.5mm
Dimension	φ26.8mm x 24.5mm

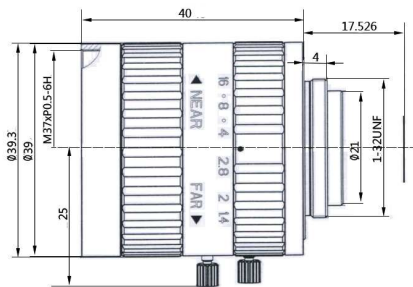


Model	SA-2522M
Focal Length	25mm
Format	1/1.8"
F NO.	F2.2
Iris	Fixed
Angle of View(HxV)	14.6°x11.3°
Distortion	<0.1%
M.O.D.	0.1m
Mount	C
Resolution	5MP
Filter Size	M25.5 x P0.5mm
Dimension	φ26.8mm x 23mm

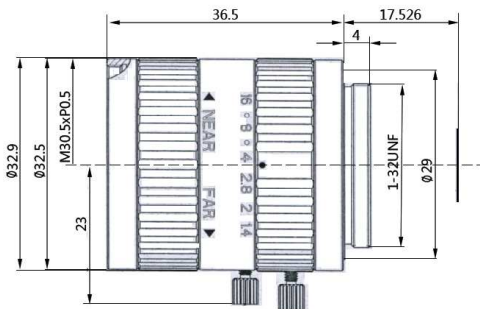
SA-S Series

- High resolution for 3MP camera
- Large aperture ratio for low illumination

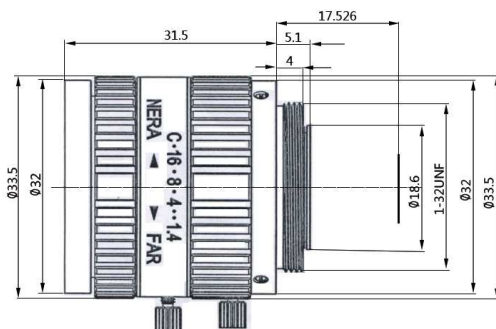
- Low distortion less than 1%
- High relative illuminate rate at corner



Model	SA-0814S
Focal Length	8mm
Format	2/3"
F NO.	F1.4 ~ F16
Iris	Manual
Angle of View(HxV)	56.3°x43.7°
Distortion	<-1%
M.O.D.	0.1m
Mount	C
Resolution	3MP
Filter Size	M37.0 x P0.5mm
Dimension	φ39.3mm x 40mm

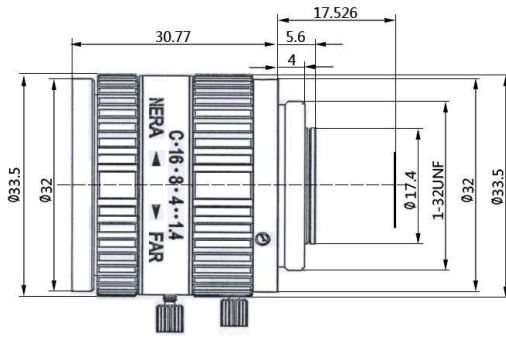


Model	SA-1214S
Focal Length	12mm
Format	2/3"
F NO.	F1.4 ~ F16
Iris	Manual
Angle of View(HxV)	39°x30.3°
Distortion	<-0.8%
M.O.D.	0.15m
Mount	C
Resolution	3MP
Filter Size	M30.5 x P0.5mm
Dimension	φ32.9mm x 36.5mm

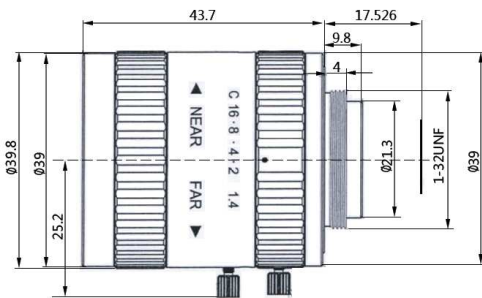


Model	SA-1614S
Focal Length	16mm
Format	2/3"
F NO.	F1.4 ~ F16
Iris	Manual
Angle of View(HxV)	30.3°x23°
Distortion	<0.3%
M.O.D.	0.3m
Mount	C
Resolution	3MP
Filter Size	M30.5 x P0.5mm
Dimension	φ33.5mm x 31.5mm

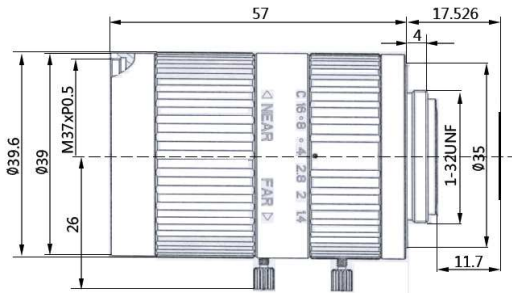
2/3" FA Lens



Model	SA-2514S
Focal Length	25mm
Format	2/3"
F NO.	F1.4 ~ F16
Iris	Manual
Angle of View(HxV)	20°x15°
Distortion	<0.2%
M.O.D.	0.3m
Mount	C
Resolution	3MP
Filter Size	M30.5 x P0.5mm
Dimension	φ33.5mm x 30.77mm



Model	SA-3514S
Focal Length	35mm
Format	2/3"
F NO.	F1.4 ~ C
Iris	Manual
Angle of View(HxV)	13.9°x10.4°
Distortion	<0.8%
M.O.D.	0.2m
Mount	C
Resolution	3MP
Filter Size	M37 x P0.5mm
Dimension	φ39.8mm x 43.7mm

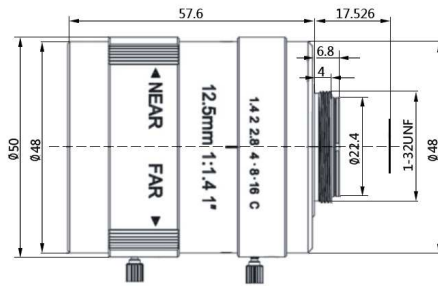


Model	SA-5014S
Focal Length	50mm
Format	2/3"
F NO.	F1.4 ~ C
Iris	Manual
Angle of View(HxV)	10.5°x7.9°
Distortion	<0.8%
M.O.D.	0.3m
Mount	C
Resolution	3MP
Filter Size	M37 x P0.5mm
Dimension	φ39.6mm x 57mm

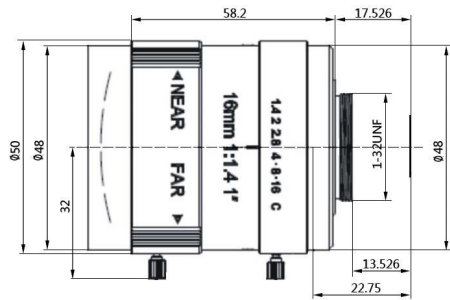
SA-L Series

- High resolution for 5MP camera
- Large aperture ratio for low illumination

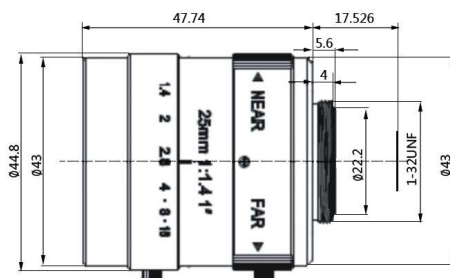
- Low distortion less than 1%
- High relative illuminate rate at corner



Model	SA-1214L
Focal Length	12.5mm
Format	1"
F NO.	F1.4~C
Iris	Manual
Angle of View(HxV)	54.5°x42°
Distortion	<1.8%
M.O.D.	0.1m
Mount	C
Resolution	5MP
Filter Size	M46.0 x P0.75mm
Dimension	φ50mm x 57.6mm

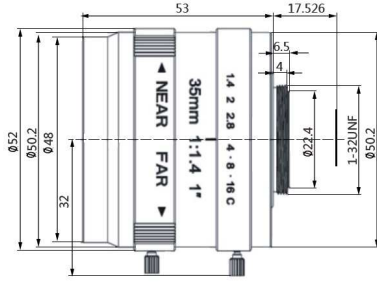


Model	SA-1614L
Focal Length	16mm
Format	1"
F NO.	F1.4~C
Iris	Manual
Angle of View(HxV)	42.4°x32.4°
Distortion	<0.2%
M.O.D.	0.1m
Mount	C
Resolution	5MP
Filter Size	M46.0 x P0.75mm
Dimension	φ50mm x 58.2mm

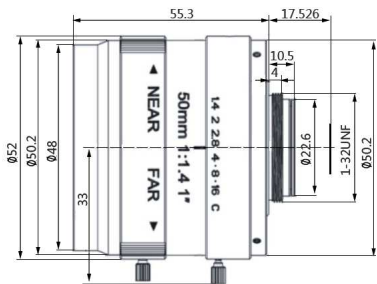


Model	SA-2514L
Focal Length	25mm
Format	1"
F NO.	F1.4~C
Iris	Manual
Angle of View(HxV)	28.6°x21.6°
Distortion	<0.2%
M.O.D.	0.1m
Mount	C
Resolution	5MP
Filter Size	M30.5 x P0.5mm
Dimension	φ44.8mm x 47.74mm

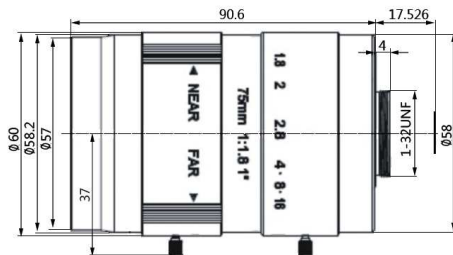
1" FA Lens



Model	SA-3514L
Focal Length	35mm
Format	1"
F NO.	F1.4 ~ C
Iris	Manual
Angle of View(HxV)	19.3°x14.3°
Distortion	<0.1%
M.O.D.	0.15m
Mount	C
Resolution	5MP
Filter Size	M46 x P0.75mm
Dimension	φ52mm x 53mm



Model	SA-5014L
Focal Length	50mm
Format	1"
F NO.	F1.4 ~ C
Iris	Manual
Angle of View(HxV)	13.9°x10.4°
Distortion	<0.1%
M.O.D.	0.3m
Mount	C
Resolution	5MP
Filter Size	M46 x P0.75mm
Dimension	φ52mm x 55.3mm



Model	SA-7518L
Focal Length	75mm
Format	1"
F NO.	F1.8 ~ C
Iris	Manual
Angle of View(HxV)	9.8°x7.4°
Distortion	<0.2%
M.O.D.	0.8m
Mount	C
Resolution	5MP
Filter Size	M58 x P0.75mm
Dimension	φ60mm x 90.6mm